

Z554 9" MEDIUM-DUTY DRAIN WITH SUR-SET BUCKET



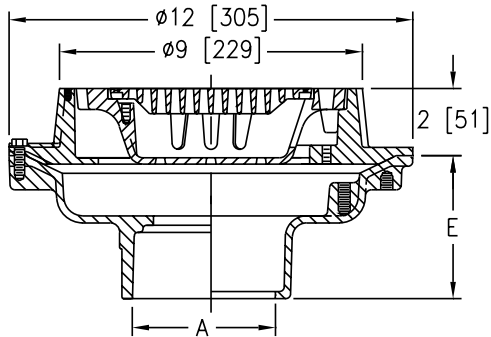
ENGINEERING SPECIFICATION

Zurn Z554 9" diameter top drain features Dura-Coated cast iron body with bottom outlet, seepage pan, combination membrane flashing clamp and frame, and medium-duty cast iron grate with Sur-Set bucket.

NOTES

†Add 3/16" to 2" dimension and 3/4" to 9" for ZB and ZN

A Pipe Size inch [mm]	Grate Open Area sq in [cm ²]	Approximate Weight lb [kg]
2 [51], 3 [76], 4 [102]	9 [58]	21 [10]



PREFIXES	DESCRIPTION	PIPE SIZE	LIST PRICE
Z554*	D.C.C.I. Body and Top	2", 3", 4"	597.00
ZB554	D.C.C.I. Body with Polished Bronze Top	2", 3", 4"	1,008.00
ZN554	D.C.C.I. Body with Polished Nickel Bronze Top	2", 3", 4"	1,098.00

OUTLETS (SPECIFY PIPE SIZE IN INCHES AND TYPE OF OUTLET)			
OUTLET TYPE	PIPE SIZE/ OUTLET TYPE	E BODY HT. DIM.	ADD
IP	Threaded	4IP	80.00
NH	No-Hub	2NH, 3NH, 4NH	N/C
NL	Neo-Loc	2NL, 3NL, 4NL	N/C

SUFFIXES			ADD
-AR	Acid Resisting Epoxy Coated Cast Iron		536.00
-G	Galvanized Cast Iron		469.00
-P	Trap Primer Connection		150.00
Ⓢ -TC	Neo-Loc Test Cap Gasket (2", 3", 4" NL Bottom Outlet Only)		24.00
-TS	Top Secured with Slotted Screws		129.00
-VP	Vandal-Proof Secured Top		149.00

BEST SELLER		LIST PRICE
Z554-4NH		597.00

Z556 8" ADJUSTABLE HEAVY-DUTY DRAIN



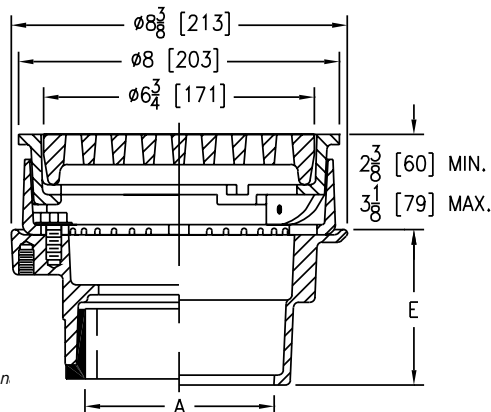
ENGINEERING SPECIFICATION

Zurn Z556 8" diameter top drain features Dura-Coated cast iron body with bottom outlet, seepage pan, and combination membrane flashing clamp and frame for adjustable extension with heavy-duty, slotted, cast iron grate.

NOTES

†Add 3/16" to 2-3/8" through 3-1/8" dimension for ZB and ZN

A Pipe Size inch [mm]	Grate Open Area sq in [cm ²]	Approximate Weight lb [kg]
2 [51], 3 [76], 4 [102]	11 [71]	19 [9]



For addition

PREFIXES	DESCRIPTION	PIPE SIZE	LIST PRICE
Z556*	D.C.C.I. Body and Top	2", 3", 4"	412.00
ZN556	D.C.C.I. Body with Polished Nickel Bronze Top	2", 3", 4"	910.00

OUTLETS (SPECIFY PIPE SIZE IN INCHES AND TYPE OF OUTLET)			
OUTLET TYPE	PIPE SIZE/OUTLET TYPE	E BODY HT. DIM.	ADD
IP	Threaded	2IP, 3IP, 4IP	80.00
NH	No-Hub	2NH, 3NH, 4NH	N/C
NL	Neo-Loc	2NL, 3NL, 4NL	N/C

SUFFIXES			ADD
-G	Galvanized Cast Iron		428.00
-P	Trap Primer Connection		150.00
-TS	Top Secured with Slotted Screws		129.00
-VP	Vandal-Proof Secured Top		149.00
-Y	Sediment Bucket		140.00

BEST SELLER		LIST PRICE
ZN556-4NL-Y		1,050.00

SEE LEGACY ADDENDUM ON PAGE 369 FOR MORE INFORMATION

*Regularly furnished unless otherwise specified.

Items designated as Best Sellers are most specified and are generally in stock for shipment.

Ⓢ This symbol denotes a product that is engineered to reduce installation and rework time.